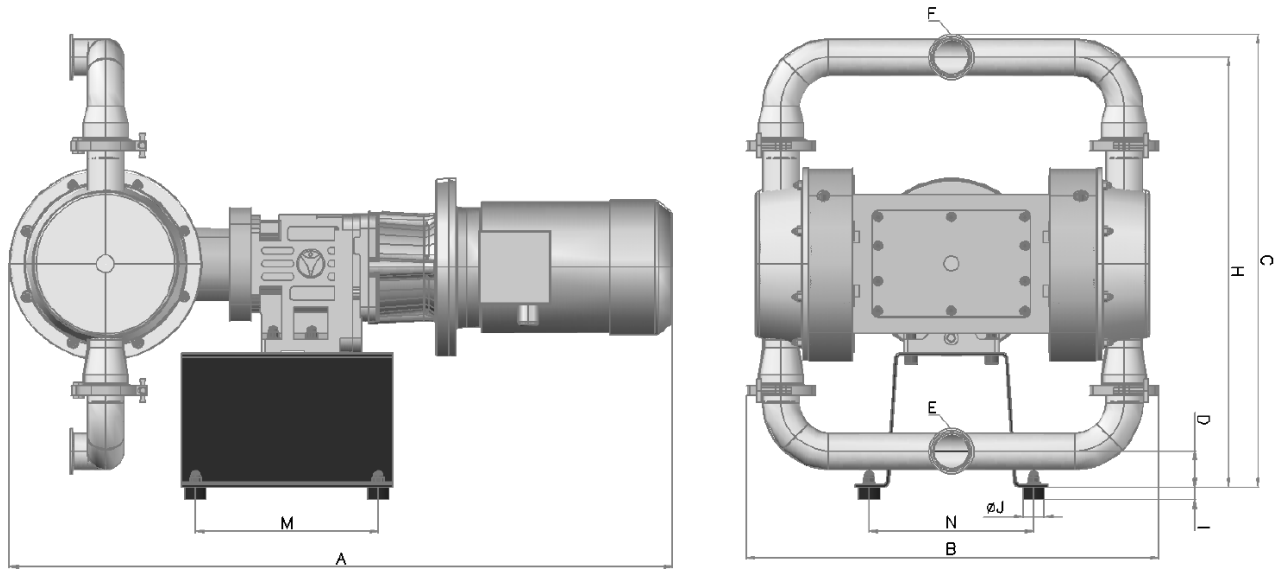


12.4. Appearance and dimensions – DME Hygienic series (AISI 316L)

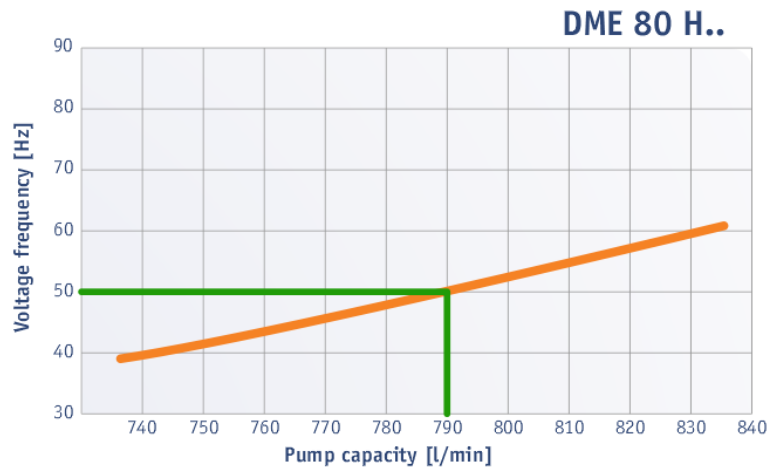
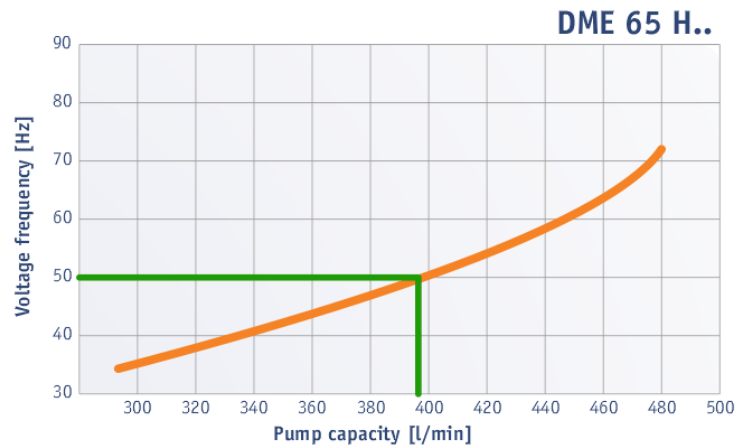
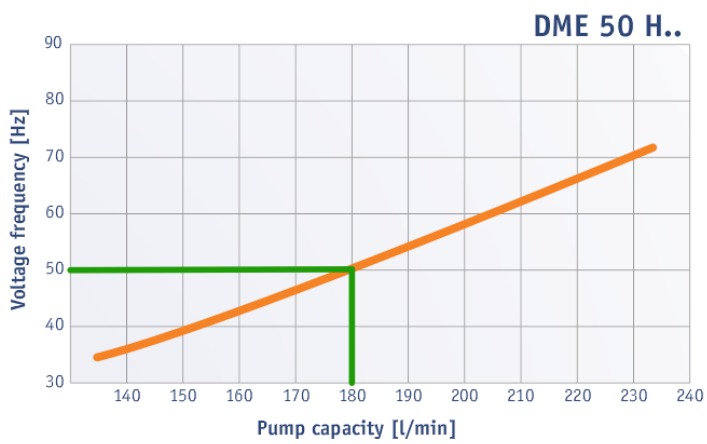
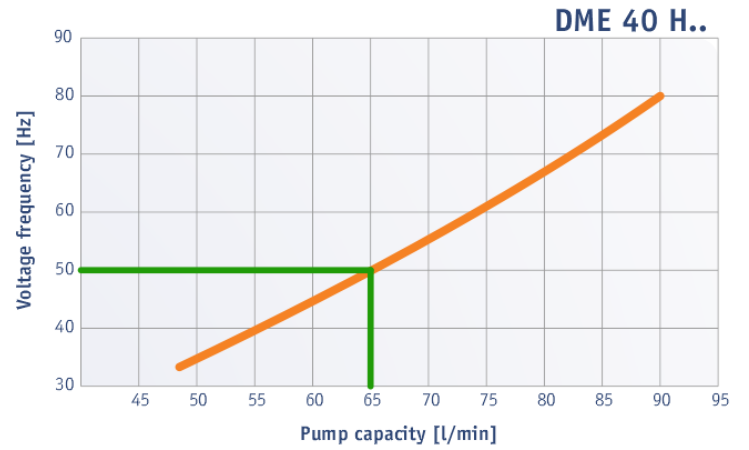
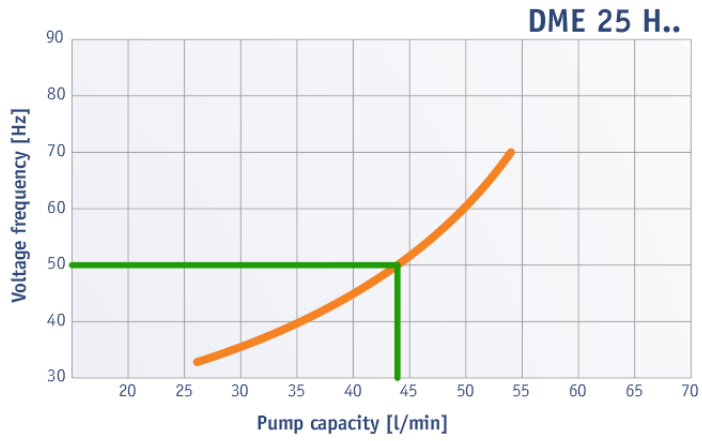


| | A | B | C | D | E | | F | G | H | I | øJ | M | N |
|--------|-----|-----|-----|-----|-----|-----|-----|---|-----|-----|-----|-----|-----|
| | | | | | TC | DN | SMS | | | | | | |
| DME 25 | ... | ... | ... | ... | ... | ... | ... | / | ... | ... | ... | ... | ... |
| DME 40 | ... | ... | ... | ... | ... | ... | ... | / | ... | ... | ... | ... | ... |
| DME 50 | 938 | 586 | 639 | 51 | 2" | 50 | 51 | / | 607 | 18 | 30 | 260 | 233 |
| DME 65 | ... | ... | ... | ... | ... | ... | ... | / | ... | ... | ... | ... | ... |
| DME 80 | ... | ... | ... | ... | ... | ... | ... | / | ... | ... | ... | ... | ... |

DME Hygienic Series Technical Data

| DELLMECO DME Pump Size - Hygienic | 25 | 40 | 50 | 65 | 80 |
|---------------------------------------|--|-------|-------|-------|-----------------|
| Maximum capacity [l/min] at 50 Hz | 44 | 65 | 183 | 400 | 790 |
| Maximum entry frequency [Hz] | 140% (e.g. max. 70 Hz at 50 Hz power-line frequency) | | | | |
| Electric motor power [kW] | 0,75 | 1,5 | 2,2 | 5,5 | 9,2 |
| Nominal port size (acc. to DIN 11851) | DN 25 | DN 40 | DN 50 | DN 65 | DN80, PN10/16 |
| Optional connections | TriClamp, SMS, RJT, JIS, ANSI | | | | |
| Suction lift dry [mWC] | 3.0 | | | | |
| Suction lift wet [mWC] | 8.0 | | | | |
| Max. diameter solids [mm] | 4 | 7 | 10 | 12 | 15 |
| Temperature limits – AISI 316L [°C] | 80 (with NBR, EPDM diaphragms) 120 (with TFM/PTFE diaphragms) | | | | |
| Weight – AISI 316L [kg] | 35 | 70 | 120 | 210 | 330 |
| Material of pump housing | AISI 316L | | | | |
| Diaphragm options | NBR, EPDM, TFM/PTFE | | | | |
| Valve balls | NBR, EPDM, PTFE, AISI 316 | | | | NBR, EPDM, PTFE |
| O-rings | Silicone, PTFE, EPDM, NBR | | | | |

DME Hygienic Series Flow Characteristics



12.5. Pump code

| DME 25 RTS – DM | |
|---|---|
| <p>DME - Dellmecco Electro-Mechanical Double Diaphragm Pump</p> <p>25 - Discharge port dimension, DN</p> | <p>DM – Optional equipment</p> |
| <p>R - Housing material:</p> <p>R - PE conductive</p> <p>Z - PTFE conductive</p> <p>A - Aluminium</p> <p>C - Cast Iron</p> <p>H - Hygienic Stainless Steel (AISI 316L)</p> <p>S - Industrial Stainless Steel (AISI 316)</p> | <p>FI – Frequency Inverter</p> <p>ACS – Additional Cooling System</p> <p>DPAP – Diaphragm pressure averager with pushbutton – PE pumps</p> <p>DPAT – Diaphragm pressure averager with pushbutton – PTFE pumps</p> <p>DPAS – Diaphragm pressure averager with pushbutton – Metal pumps</p> <p>PG – Pressure gauge</p> <p>CPG – Contact pressure gauge</p> <p>PBS1 – Pushbutton switch for differential pressure control (1 - 10 bar)</p> <p>PBS2 – Pushbutton switch for differential pressure control (0.8 - 6 bar), ATEX</p> <p>CB – Control box for PBS1, PBS2 (Pushbutton switch...) option</p> <p>DM1 – Diaphragm monitoring, Namur, ATEX</p> <p>DM2 – Diaphragm monitoring with controller</p> <p>SCE1 – Stroke sensor, ATEX</p> <p>SCE2 – SCE1 plus stroke counter</p> <p>SCE3 – SCE2 with ATEX</p> <p>FE7 – Flange connections PN10 DIN 2576, PE conductive</p> <p>FE7.1 – Flange connections PN10 DIN 2576, PTFE conductive</p> <p>FEM7 – Flange connections PN10 DIN 2576, metal</p> <p>FE8 – Flange connections ANSI 150 RF-SO, PE conductive</p> <p>FE8.1 – Flange connections ANSI 150 RF-SO, PTFE conductive</p> <p>FEM8 – Flange connections ANSI 150 RF-SO, metal</p> <p>FE9 – Flange connections PN16 DIN 2277/2278, PE conductive</p> <p>FE9.1 – Flange connections PN16 DIN 2277/2278, PTFE conductive</p> <p>FEM9 – Flange connections PN16 DIN 2277/2278, metal</p> <p>BFE1 – Back flushing system, hand operated, EPDM seals</p> <p>BFE2 – Back flushing system, hand operated, PTFE seals</p> <p>BFE4 – Back flushing system, pneumatic, EPDM seals</p> <p>BFE5 – Back flushing system, pneumatic, PTFE seals</p> <p>T – Pump trolley</p> <p>ATEX – Explosion-proof certificate</p> |
| <p>T - Diaphragm material:</p> <p>E - EPDM</p> <p>N - NBR</p> <p>T - TFM/PTFE</p> | |
| <p>S - Material and type of valve:</p> <p>E - EPDM, ball valve</p> <p>N - NBR, ball valve</p> <p>S - AISI 316, ball valve</p> <p>T - PTFE, ball valve</p> <p>U - Polyurethane, ball valve</p> <p>F - PTFE, cylinder valve (Plastic Pump Series only)</p> <p>P - PE, cylinder valve (Plastic Pump Series only)</p> <p>C - Ceramic, ball valve</p> | |